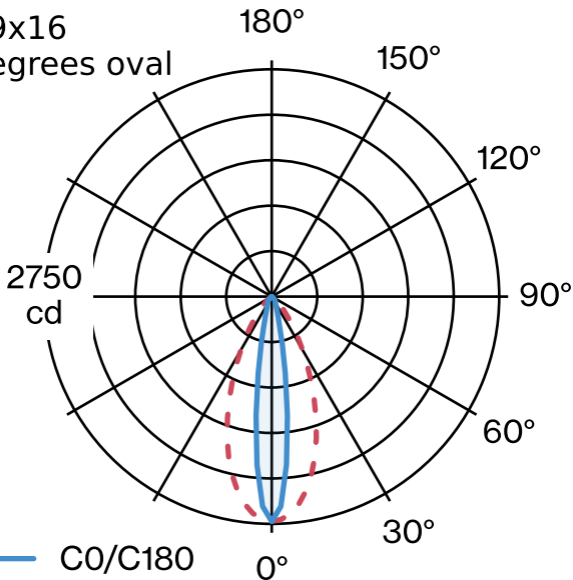


59x16
degrees oval



— C0/C180
- - C90/C270