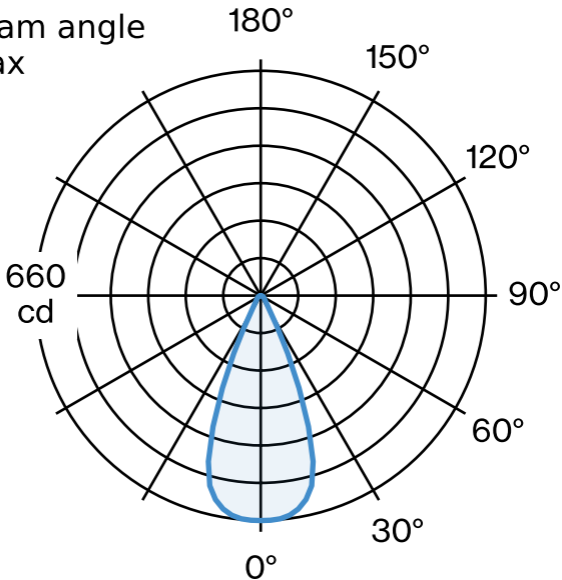


beam angle
max



— C0/C180