

EXPOSED CONCRETE MOUNTING ACCESSORY

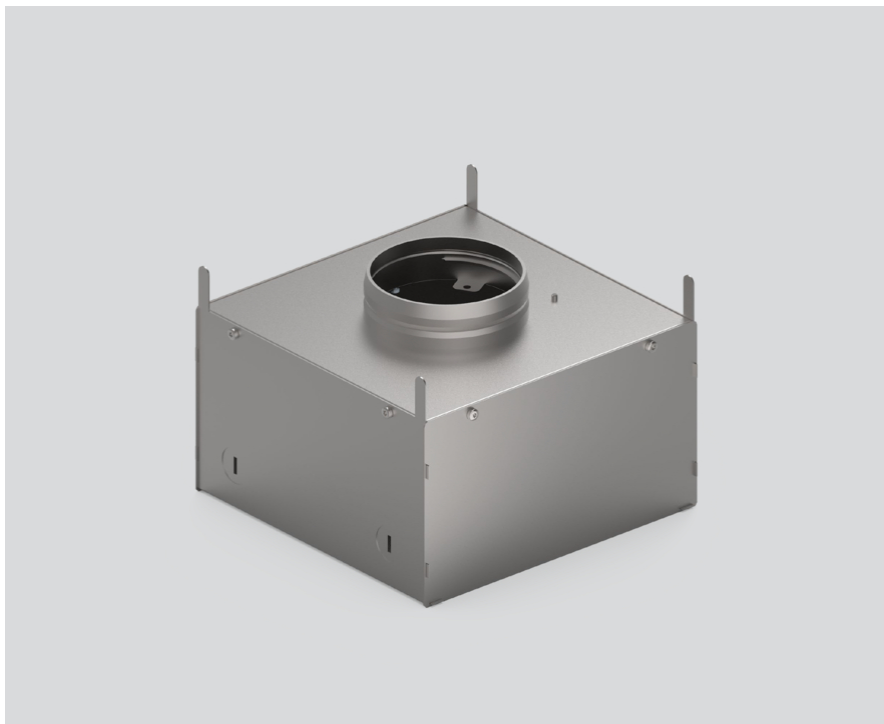
060-00080



Project / Type

Notes

Count / Date



Physical

length 229 mm

width 227 mm

height 160 mm

1.8 kg

EXPOSED CONCRETE MOUNTING ACCESSORY

060-00080



Project / Type

Notes

Count / Date
