

SASSO 2.0

round

recessed

Project/Type

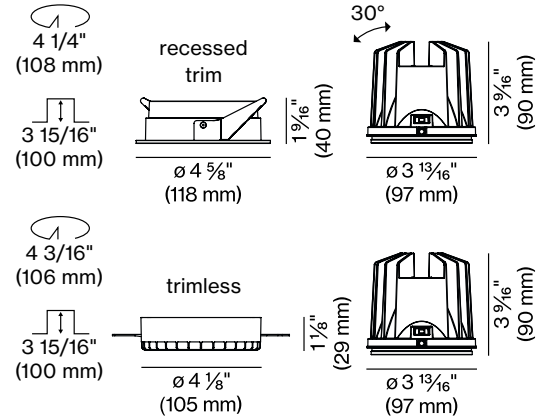
Date



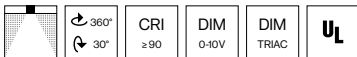
TOOLESS MODULE INSTALLATION MAX GLARE REDUCTION 360° ROTATION AND 30° TILT 3 3/4" APERTURE

General	ceiling recessed optic aperture: 3 3/4" ceiling aperture: 4 1/4" tilt max 30° rotation 360° dry, damp rated IP44 ¹⁾
LED	COB, L80 / 50 000h CRI ≥ 90, SDCM ≤ 2-step binning 2700 K, 3000 K, 3500 K, 4000 K
Optical	spot (15°), medium (27°), flood (40°), wide flood (56°) UGR ≤ 13 ²⁾
Electrical	fixture: 10.8 W 36 Vf up to 114 lm/W up to 1370 lm delivered 0-10V (0.1%, 120-277 V), Triac (1%, 120 V)
Physical	traffic white, jet black, matt silver, gold dust light module: aluminum housing: galvanized steel

Dimensions



ceiling thickness:
1/2", 9/16", 25/32", 1"



Round recessed spotlight; installation without tools in mounting set (trimless or with trim) with ball catch system; surface light inset lacquered; installation possible in different housings; choice of adjustable or fixed symmetric radiation characteristic; precise radiation characteristic due to high quality lens system; COB (Chip on Board) technology for maximum efficiency; no multiple shadows; efficient LEDs with excellent color rendering

¹⁾ spot, medium, flood

²⁾ spot (jet black, matt silver, gold dust)

SASSO 2.0

round

recessed

Project/Type

Date

Order Code

Range	Shape	Mounting	LED	Driver	Power	Application	Type	Optic Beam	Optic Type	Finish Inset	Finish Trim		
USO20 SASSO 2.0	R0 round single	RT recessed trim	279 2700K CRI 90	UU 0-10V / TRIAC 120-277V	S standard power 10.8W	R remodel non-IC	F fix	S spot 15°	L lens	W traffic white	W traffic white		
			309 3000K CRI 90							I new construction IC style	A adjustable	M medium 27°	B jet black
		359 3500K CRI 90	C new construction CCEA							F flood 40°	S matt silver	G gold dust	
		409 4000K CRI 90	N new construction non-IC										

Finish Inset



traffic white



jet black



matt silver

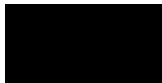


gold dust

Finish Trim



traffic white



jet black

SASSO 2.0

round

recessed

Project/Type

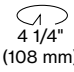
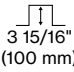
Date

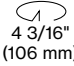
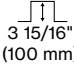
Remodel non-IC Installation

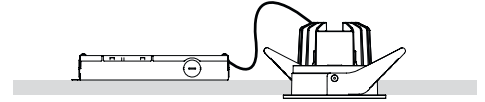
Housing for new or existing ceiling structure. Suitable for non-insulated ceilings (sheetrock, or paneling). Fixture is ready for remodeling installation. Mounting set can be shipped separately.

Ceiling thickness
up to 1" (25.4 mm)

Cutout dimensions

recessed trim  4 1/4" (108 mm)  3 15/16" (100 mm)

recessed trimless  4 3/16" (106 mm)  3 15/16" (100 mm)



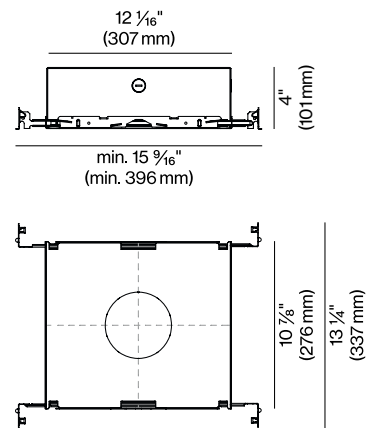
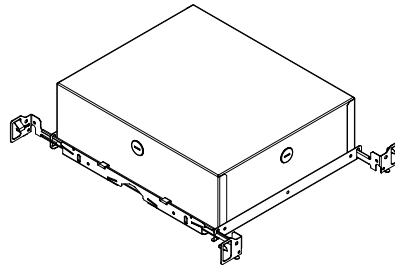
For power supply installation keep clearane of 1 ft. (300 mm) behind the ceiling

New Construction IC / CCEA Installation

Housing with hanger bar system for new construction installations. Available as IC-rated housing or Chicago Plenum (CCEA) housing. Suitable for insulated ceilings (IC) or Chicago Plenum applications (CCEA). Housing can be shipped separately.

Ceiling thickness
up to 1" (25.4 mm)

Hanger bars adjustment
16" to 24" (406 to 610mm)



New Construction non-IC Installation

Housing with hanger bars system for new construction installations. Suitable only for non-insulated ceilings. Mounting frame can be shipped separately.

Ceiling thickness
up to 1" (25.4 mm)

Hanger bars adjustment
16" to 24" (406 to 610mm)

