

SASSO 1.0

round

recessed

Project / Type

Date



TOOLESS MODULE INSTALLATION MAX GLARE REDUCTION 360° ROTATION AND 30° TILT 1 3/4" APERTURE

General ceiling recessed
optic aperture: 1 3/4" | ceiling aperture: 2 1/8"
dry, damp rated | IP44

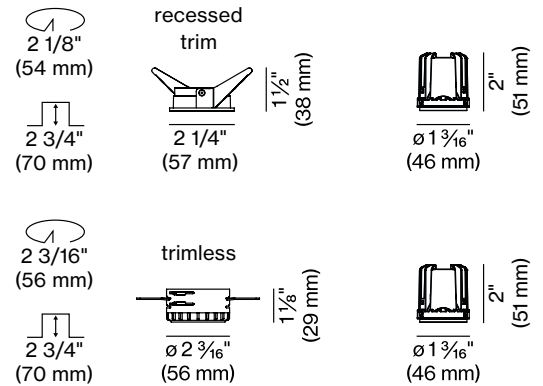
LED COB, L80 / 50 000h
CRI ≥ 90, SDCM ≤ 2-step binning
2700 K, 3000 K, 3500 K, 4000 K

Optical spot (15°), medium (27°), flood (40°)
UGR ≤ 13²⁾

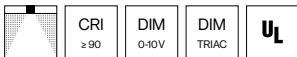
Electrical fixture: 4.1 W 12 Vf
up to 68 lm/W
up to 368 lm delivered
0-10V (0.1%, 120-277 V), Triac (1%, 120 V)

Physical traffic white, jet black, matt silver, gold dust
light module: aluminum
housing: galvanized steel

Dimensions



ceiling thickness:
1/2" , 9/16" , 25/32" , 1"



Round recessed spotlight; installation without tools in mounting set (trimless or with trim) with ball catch system; surface light inset lacquered; installation possible in different housings; symmetric radiation characteristic; precise radiation characteristic due to high quality lens system; COB (Chip on Board) technology for maximum efficiency; no multiple shadows; efficient LEDs with excellent color rendering

¹⁾ spot, medium, flood

²⁾ spot (jet black, matt silver, gold dust)

SASSO 1.0

round

recessed

Project/Type

Date

Order Code

Range	Shape	Mounting	LED	Driver	Power	Application	Type	Optic Beam	Optic Type	Finish Inset	Finish Trim	
USO10 SASSO 1.0	R0 round single	RT recessed trim	279 2700K CRI 90	UV 0-10V 0.1% 120-277V	S standard power 4.1W	R remodel non-IC	F fix	S spot 15°	L lens	W traffic white	W traffic white	
		TL trimless	309 3000K CRI 90	1T Triac 1% 120V		I new construction IC style				M medium 27°	B jet black	B jet black
			359 3500K CRI 90	1D DALI 1% 120V		C new construction CCEA				F flood 40°	S matt silver	
			409 4000K CRI 90			N new construction non-IC					G gold dust	

Finish Inset



traffic white



jet black



matt silver

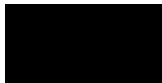


gold dust

Finish Trim



traffic white



jet black

SASSO 1.0

round

recessed

Project/Type

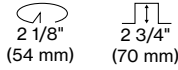
Date

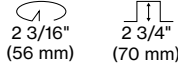
Remodel non-IC Installation

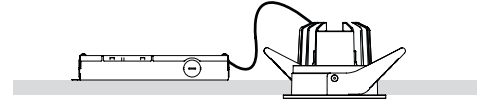
Housing for new or existing ceiling structure. Suitable for non-insulated ceilings (sheetrock, or paneling). Fixture is ready for remodeling installation. Mounting set can be shipped separately.

Ceiling thickness
up to 1" (25.4mm)

Cutout dimensions

recessed trim 
2 1/8" (54 mm) 2 3/4" (70 mm)

recessed trimless 
2 3/16" (56 mm) 2 3/4" (70 mm)



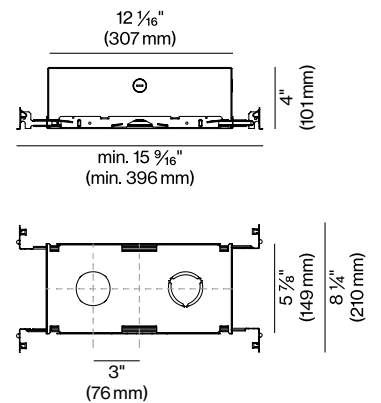
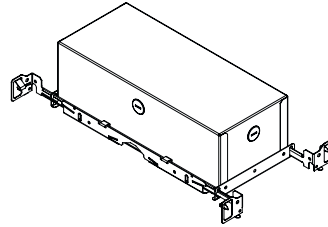
For power supply installation keep clearance of 1 ft. (300 mm) behind the ceiling

New Construction IC / CCEA Installation

Housing with hanger bar system for new construction installations. Available as IC-rated housing or Chicago Plenum (CCEA) housing. Suitable for insulated ceilings (IC) or Chicago Plenum applications (CCEA). Housing can be shipped separately.

Ceiling thickness
up to 1" (25.4 mm)

Hanger bars adjustment
16" to 24" (406 to 610mm)



New Construction non-IC Installation

Housing with hanger bars system for new construction installations. Suitable only for non-insulated ceilings. Mounting frame can be shipped separately.

Ceiling thickness
up to 1" (25.4 mm)

Hanger bars adjustment
16" to 24" (406 to 610mm)

